

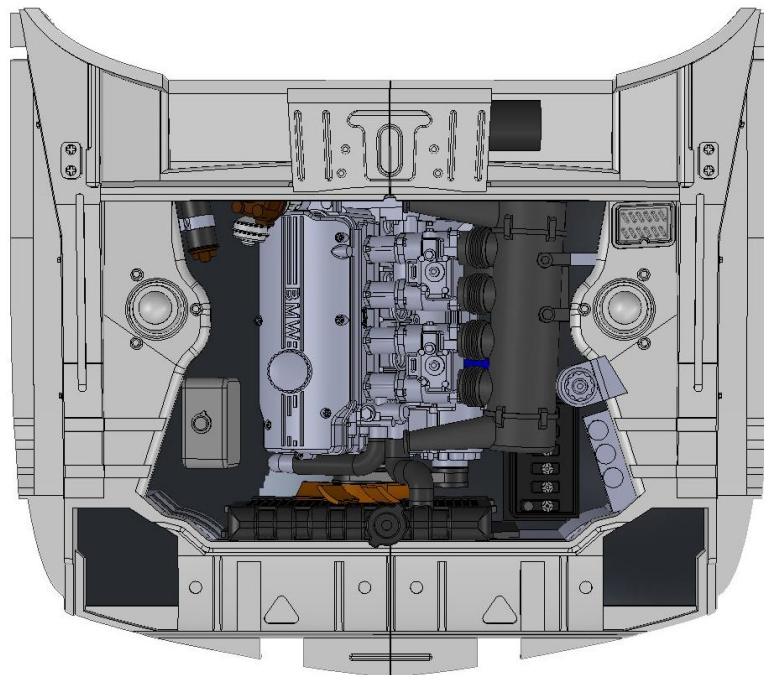
**1/24 Super detail engine bay kit
for BMW 2002 ti
Hasegawa 20354, 20332, 20381**

24T025

USCP



ukrainian scale cars production



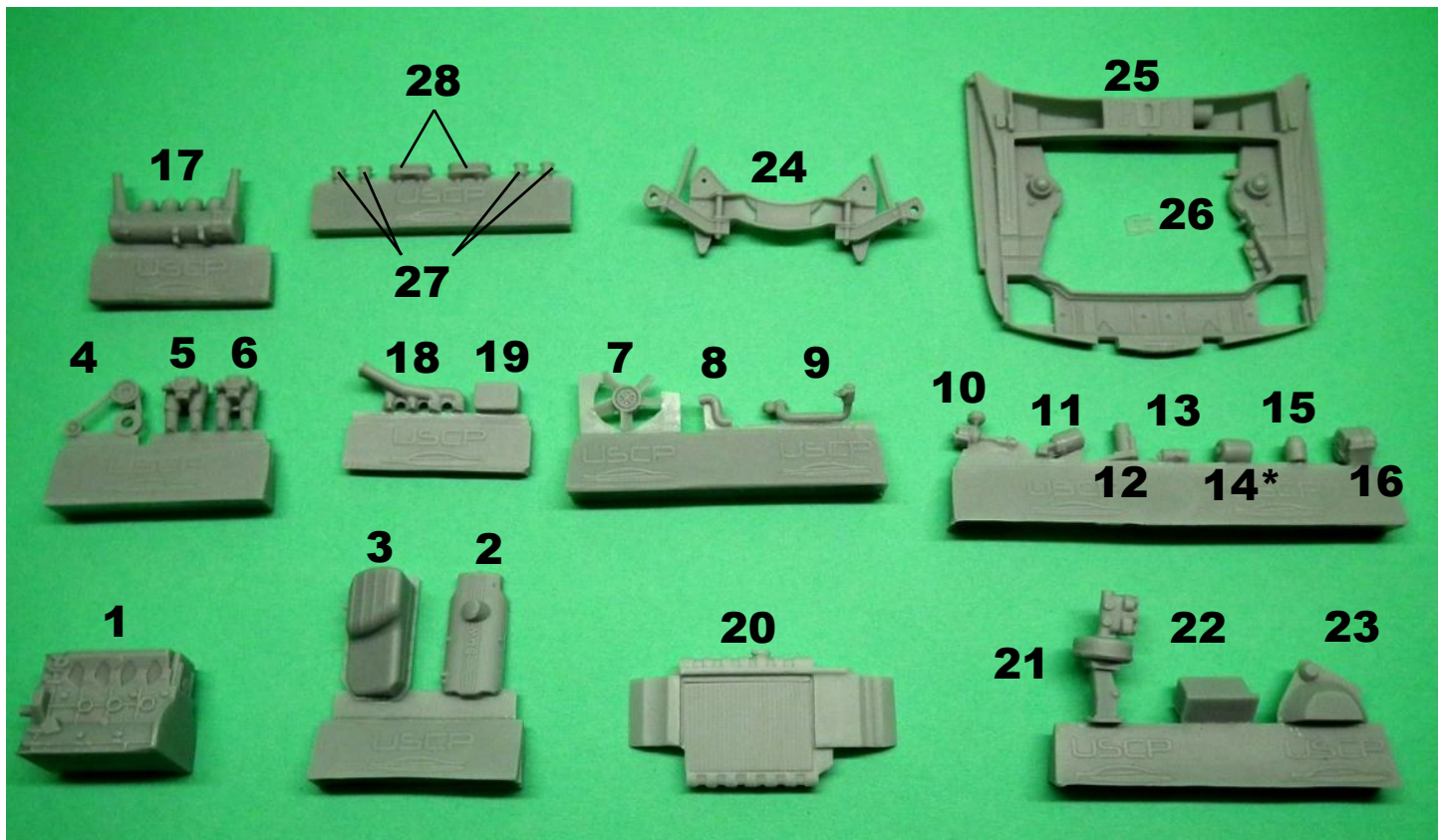
***BMW 2002 ti
Engine bay set***

ASSEMBLY INSTRUCTION

2019

Made in Ukraine

Parts:



* part 14 is not used

Colors:

A – semi gloss black

B – aluminum

C – steel

D – blue

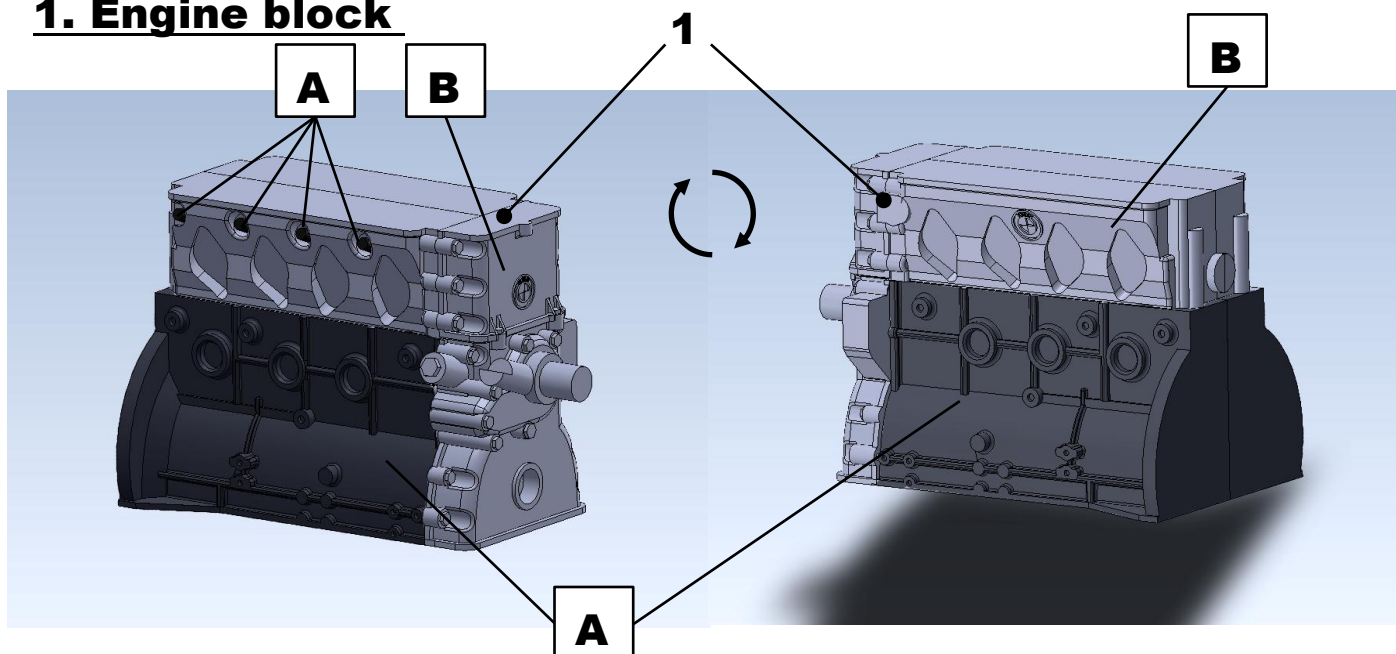
E – body color

F – exhaust color

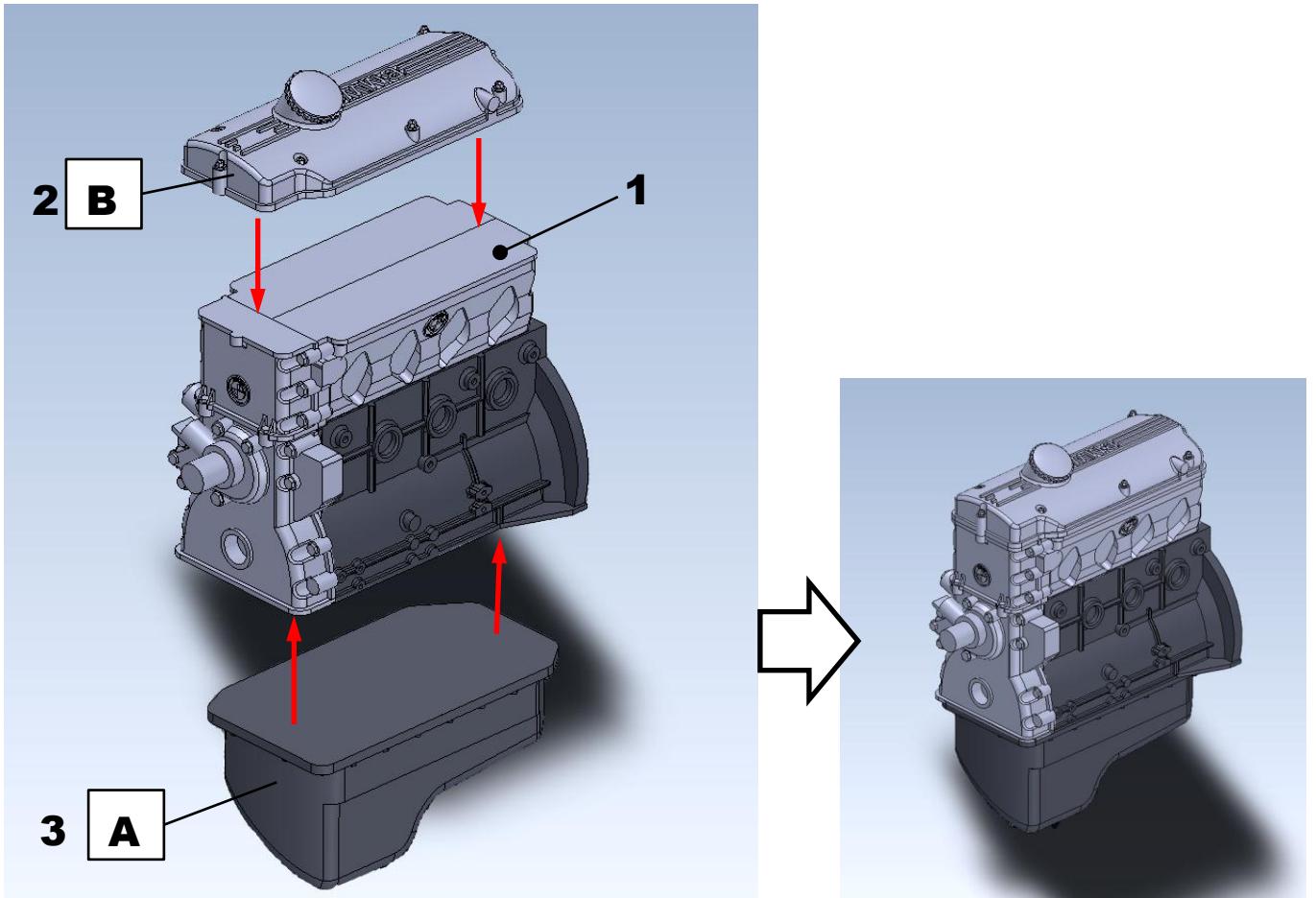
G – orange-red

H – moon white

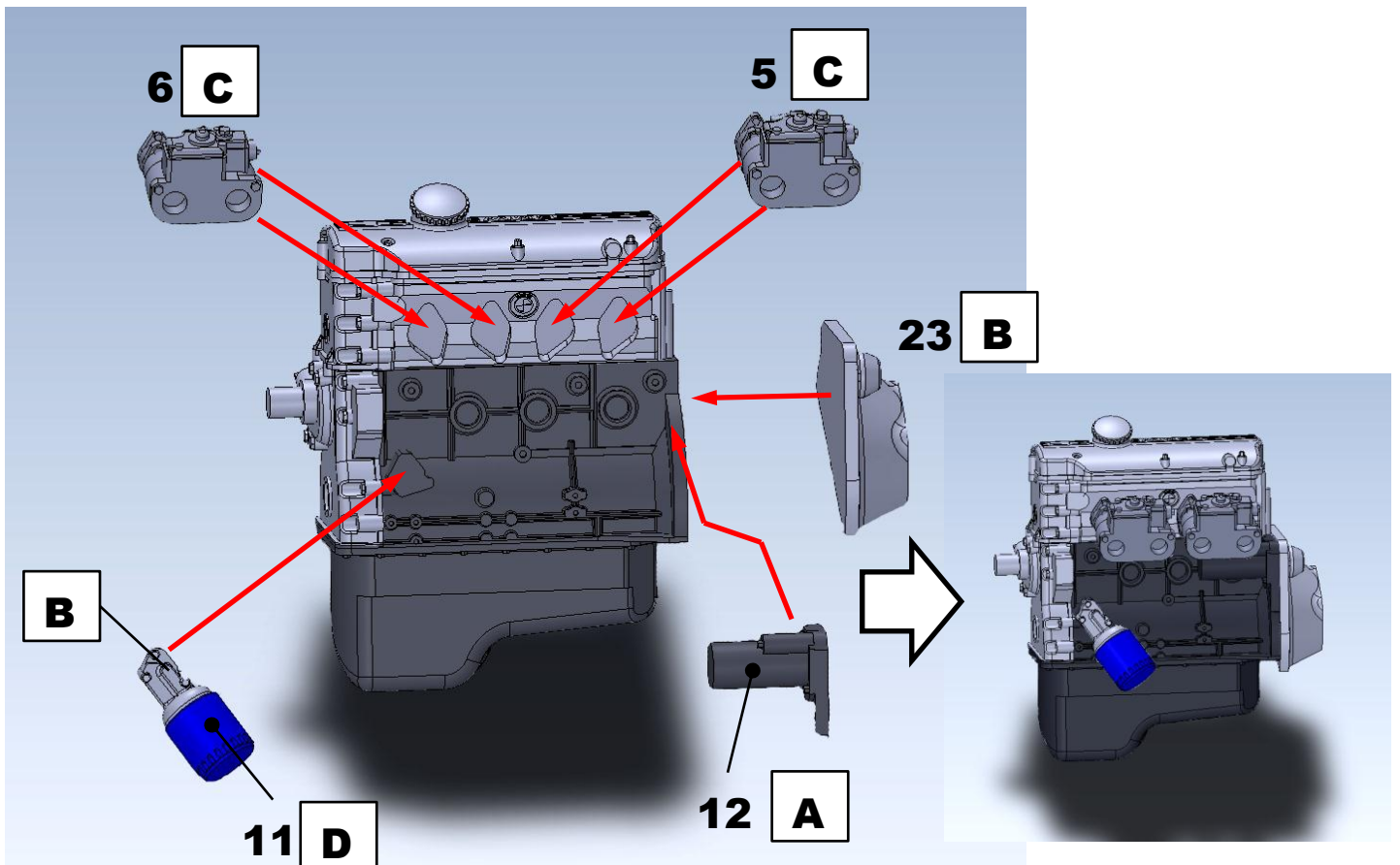
1. Engine block



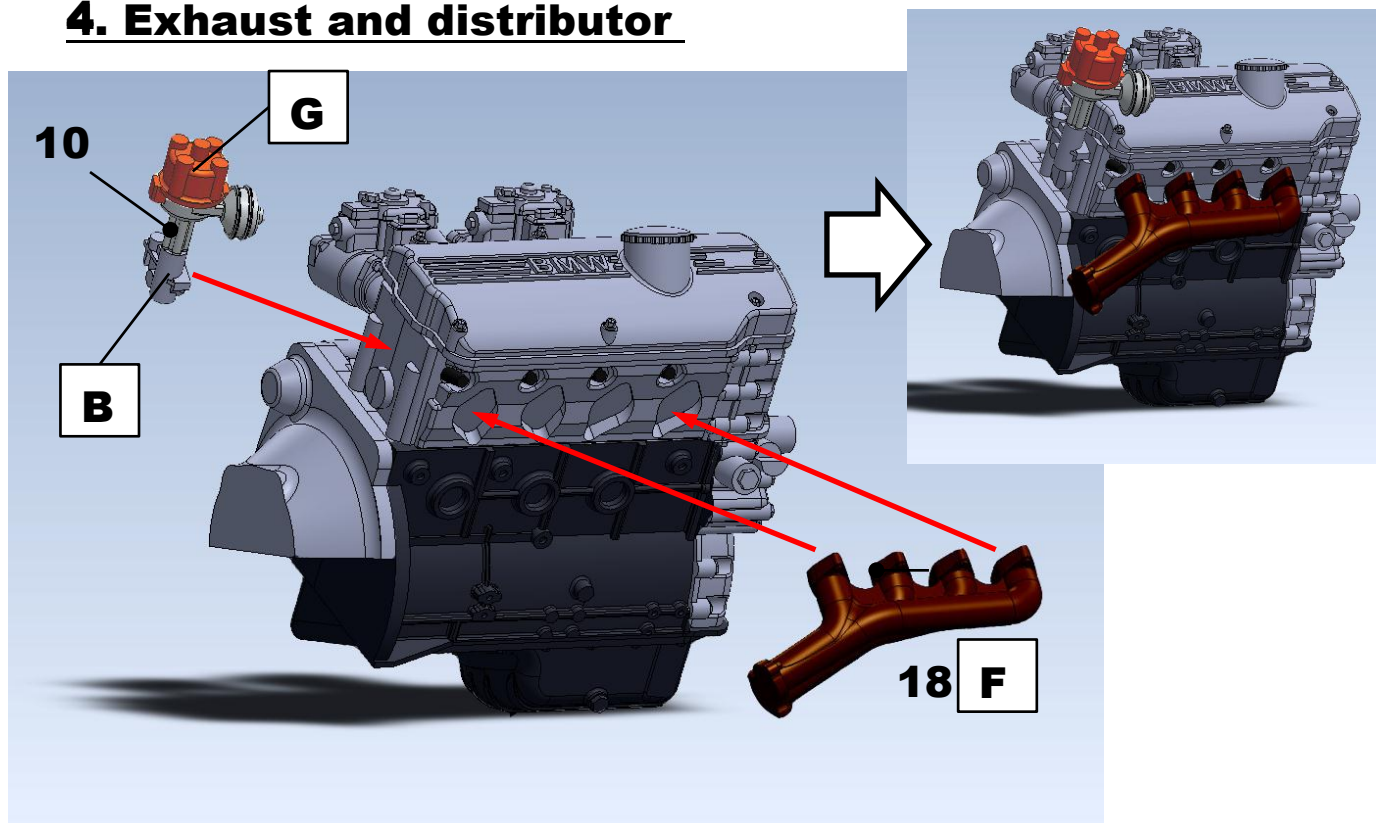
2. Valve cover and oil pan



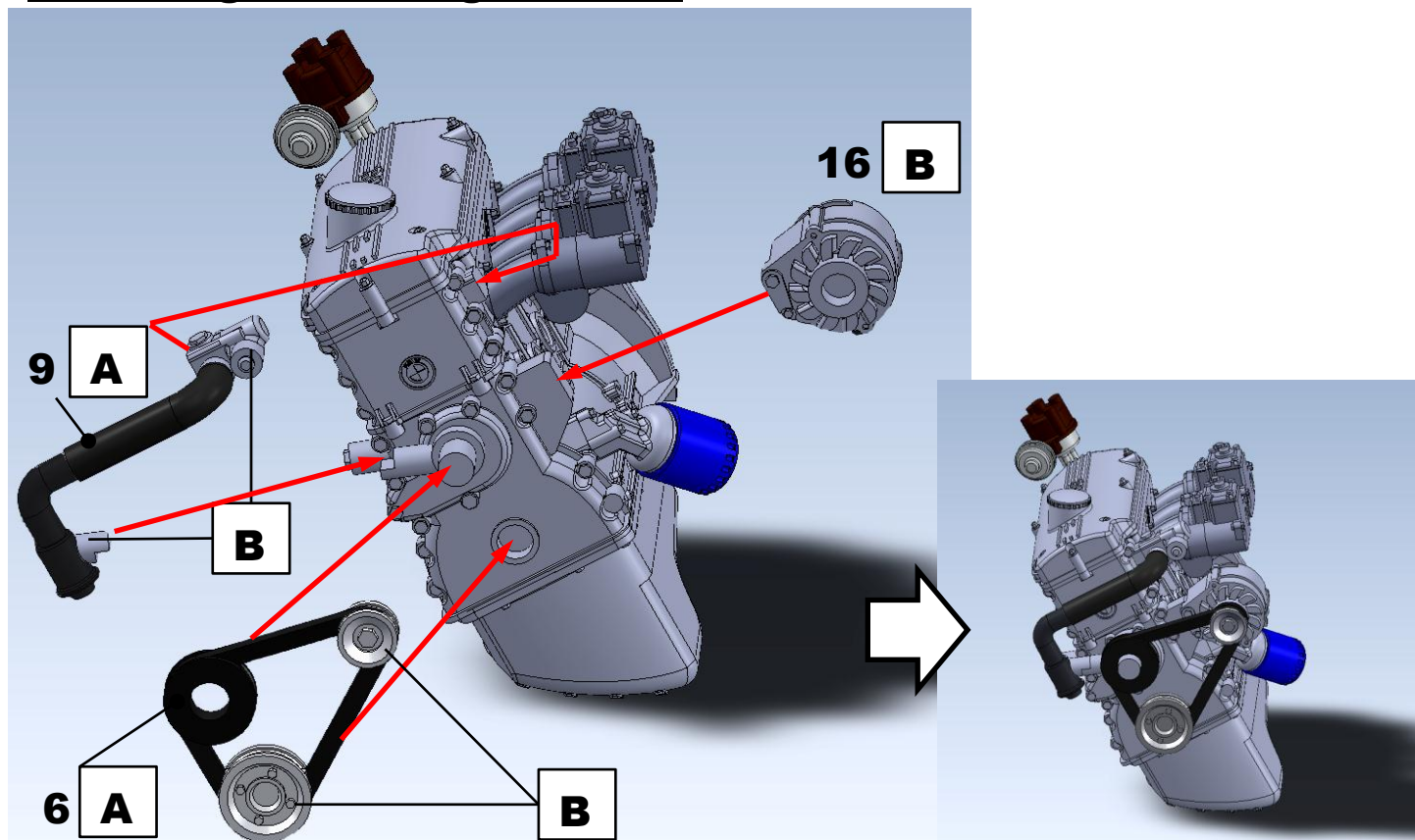
3. Intake, injection, starter



4. Exhaust and distributor

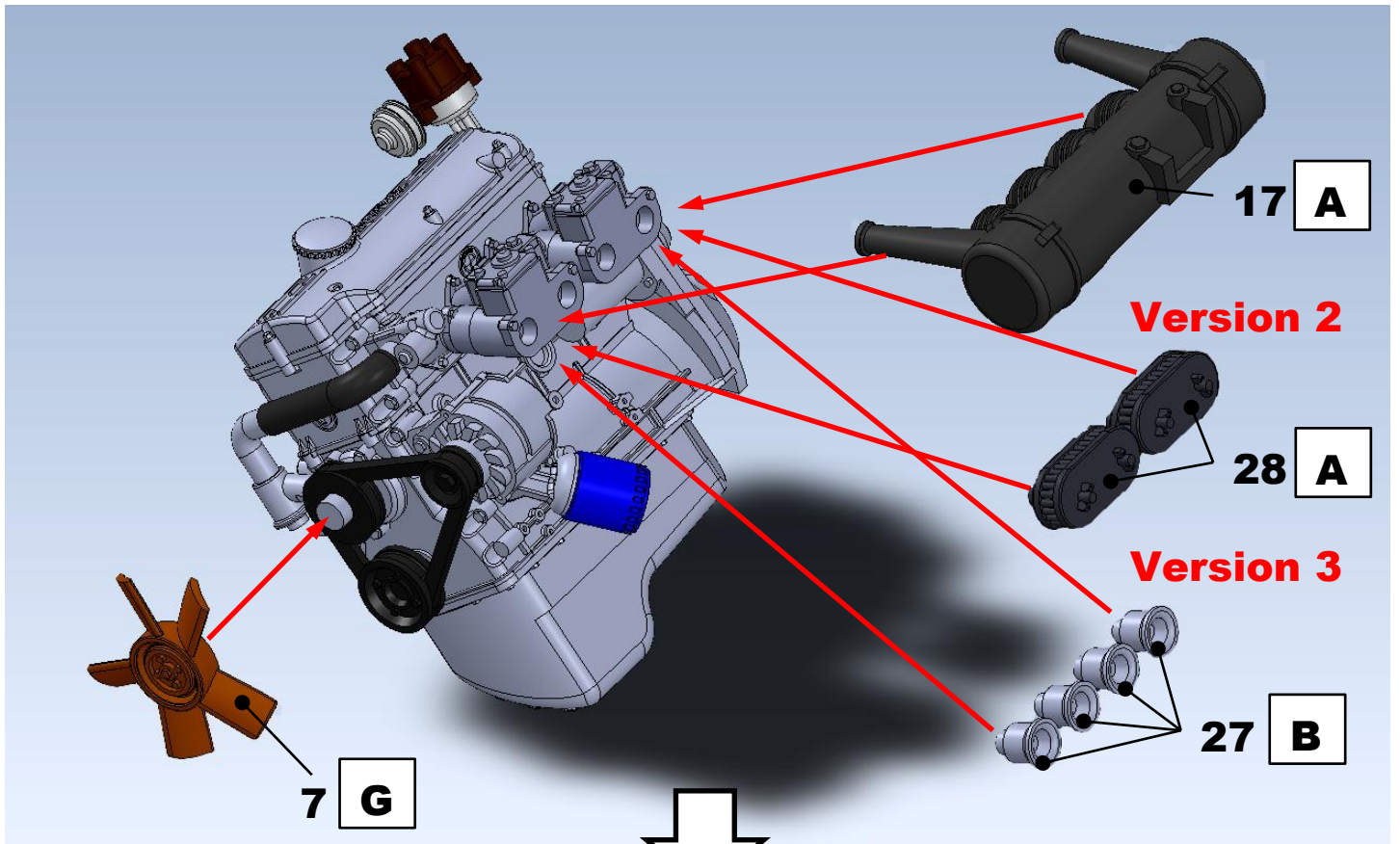


5. Driving belt and generator



6. Fan and Air filter

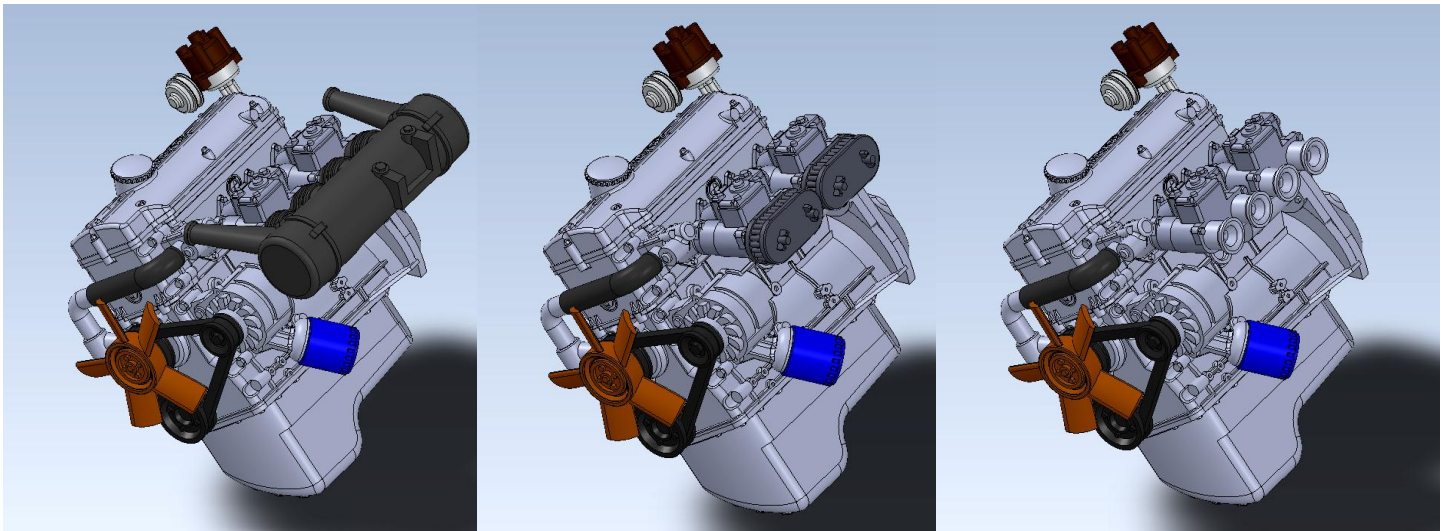
Version 1



Version 1

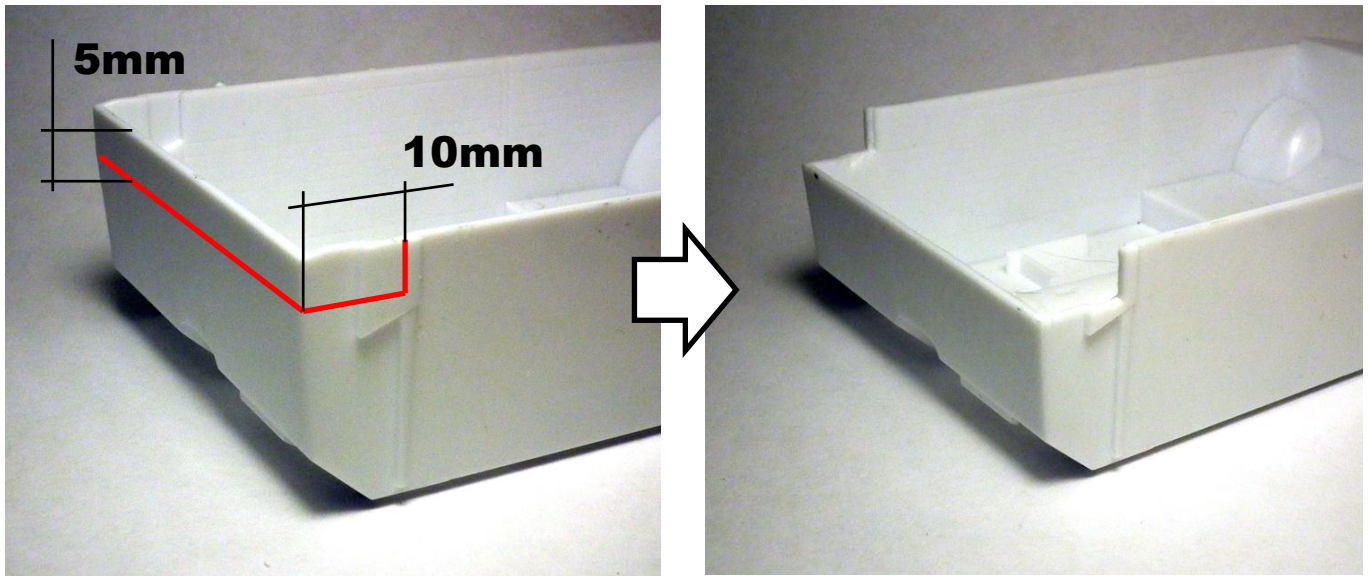
Version 2

Version 3

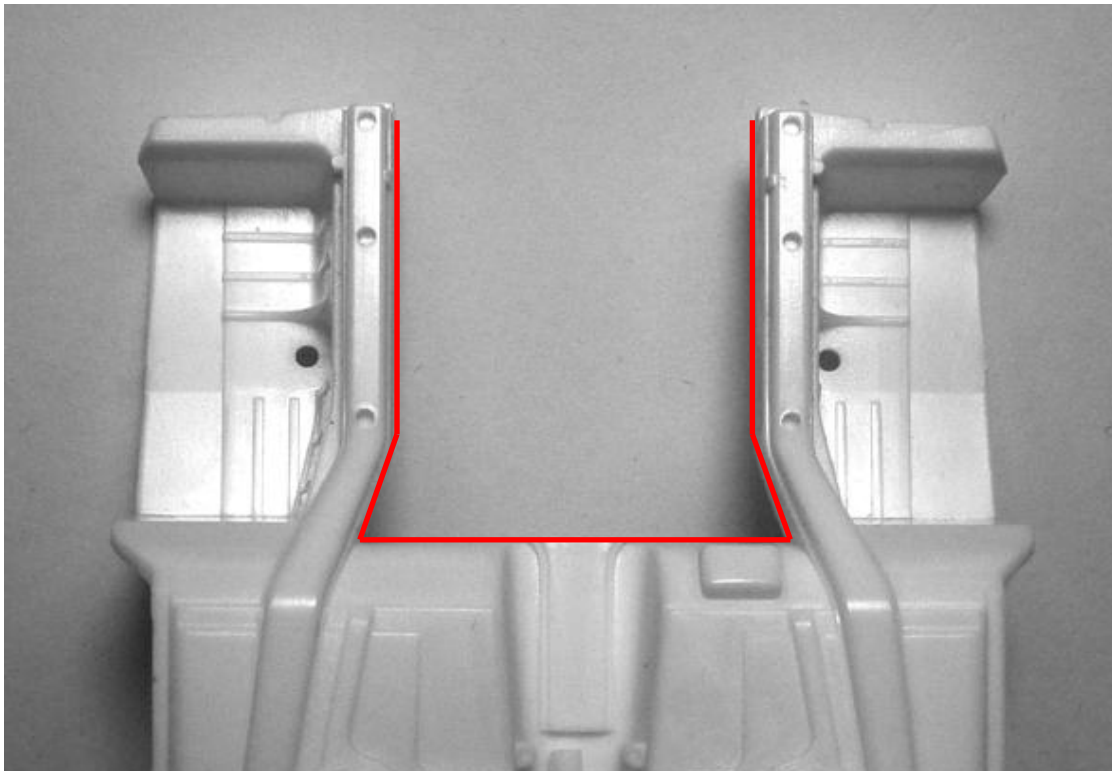


7. Preparing kit chassis and interior parts

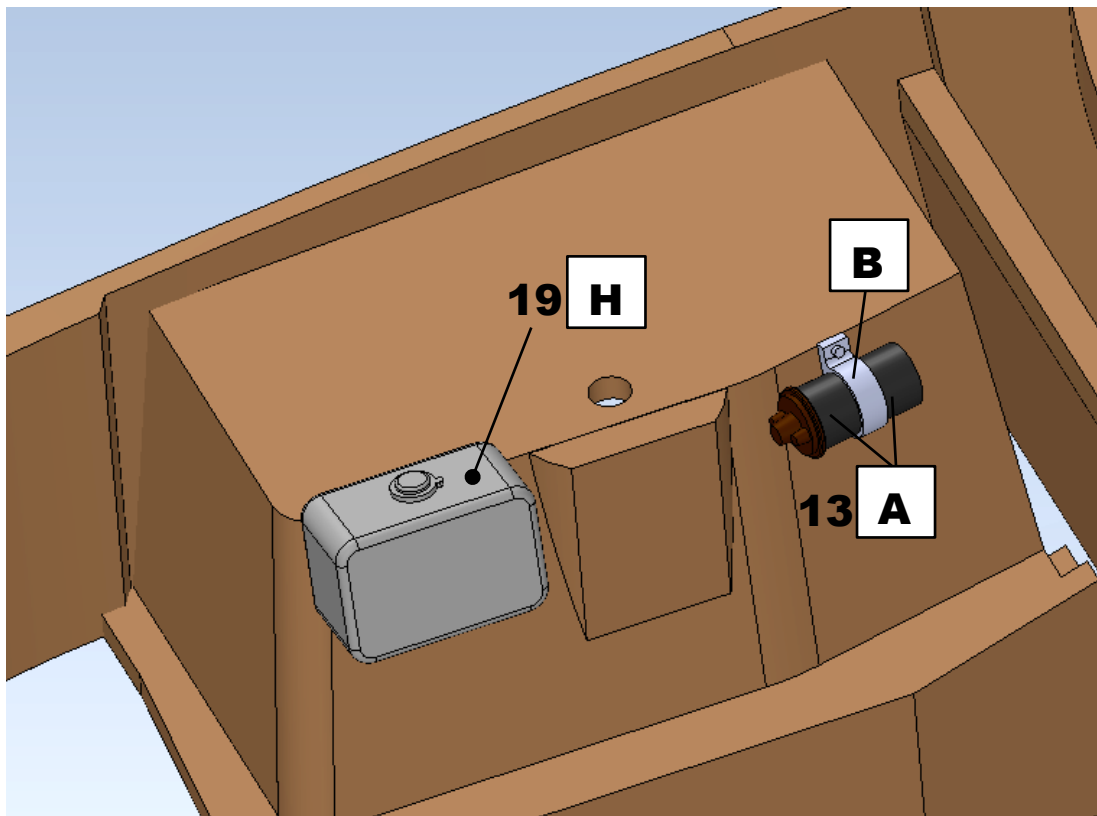
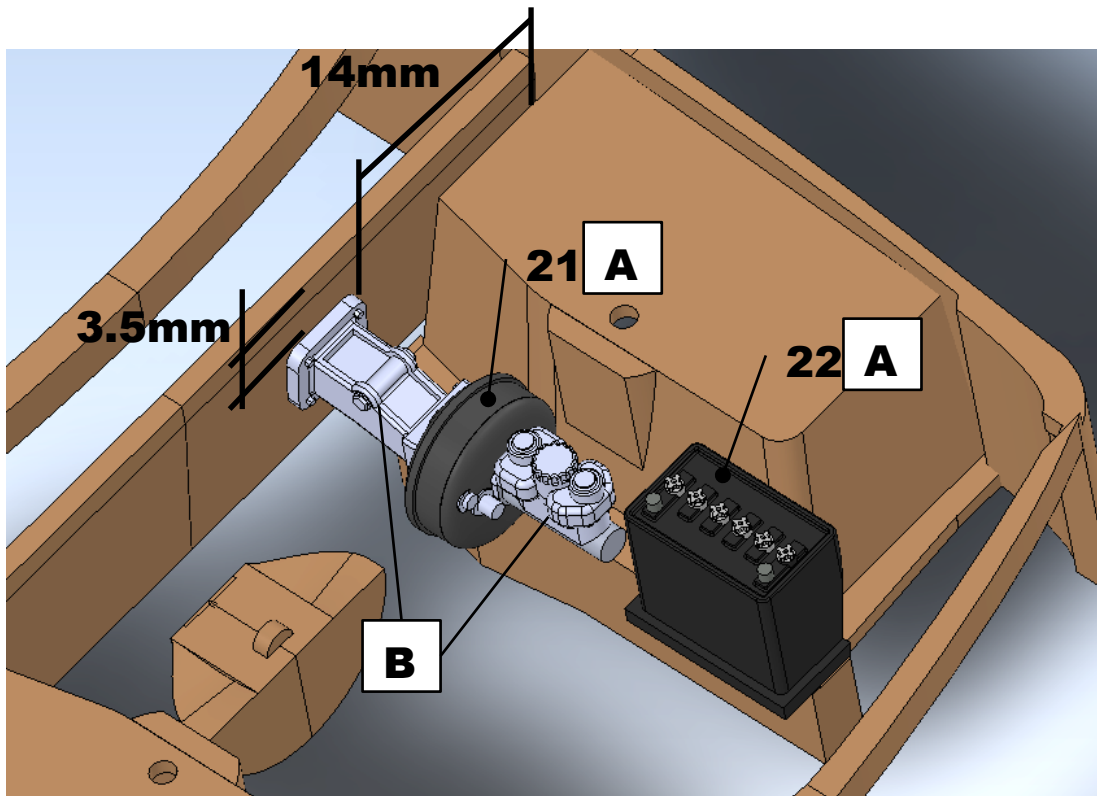
Cut interior part, as shown on picture:



Cut engine imitation from chassis:

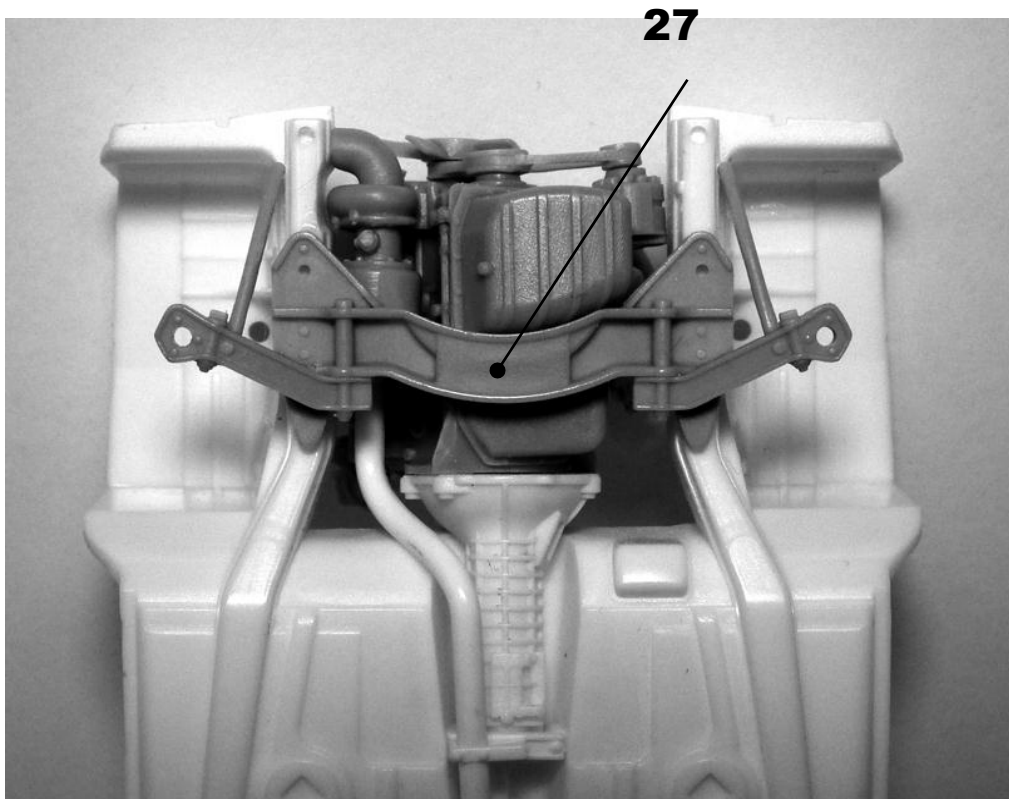
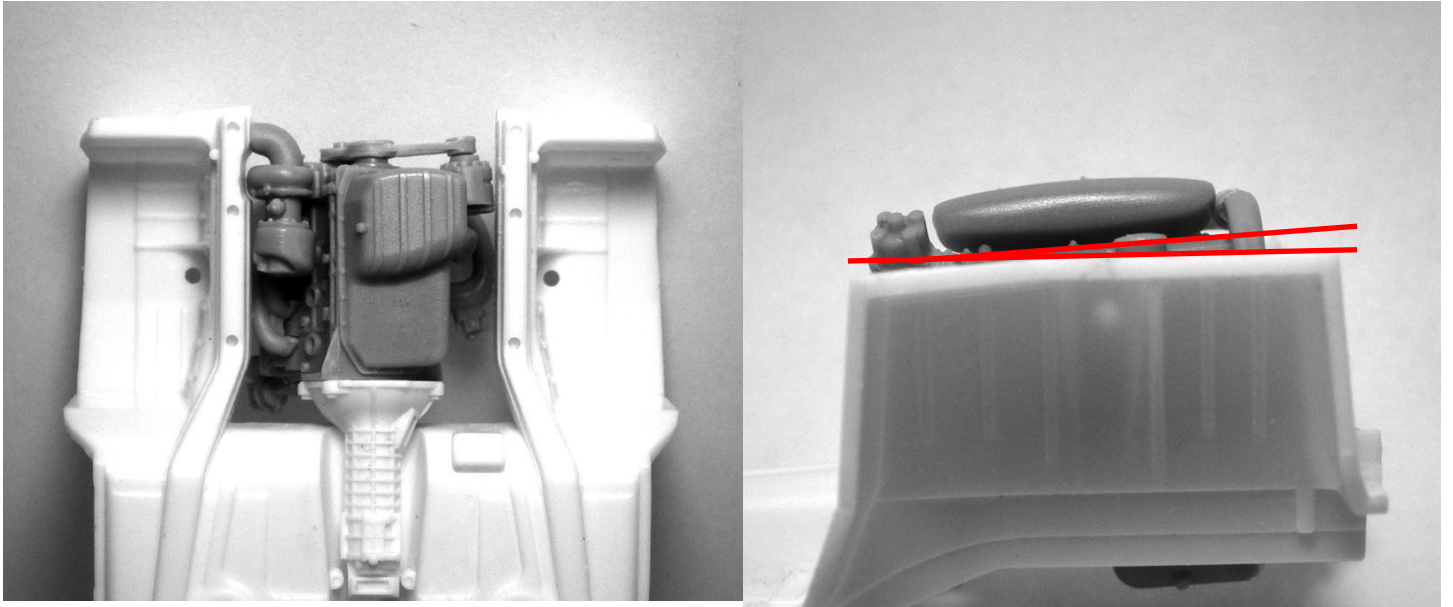


8. Brake cylinder and battery

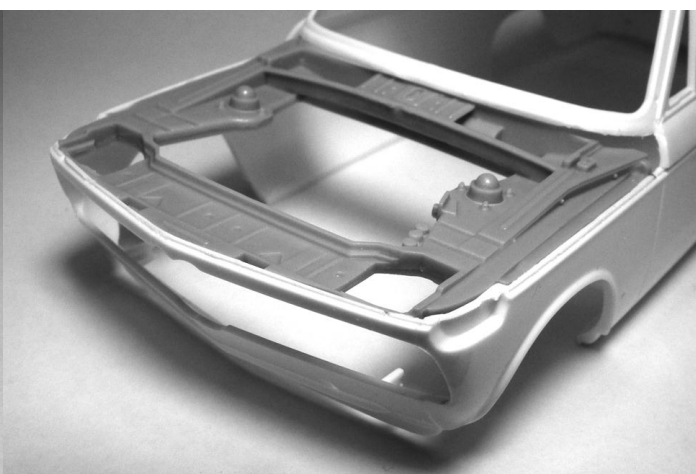
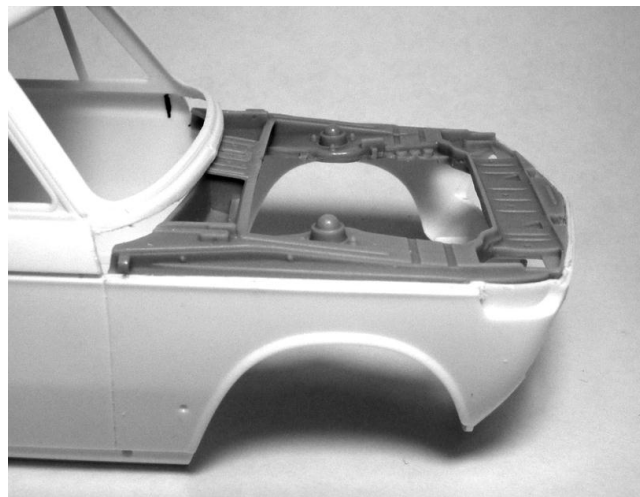
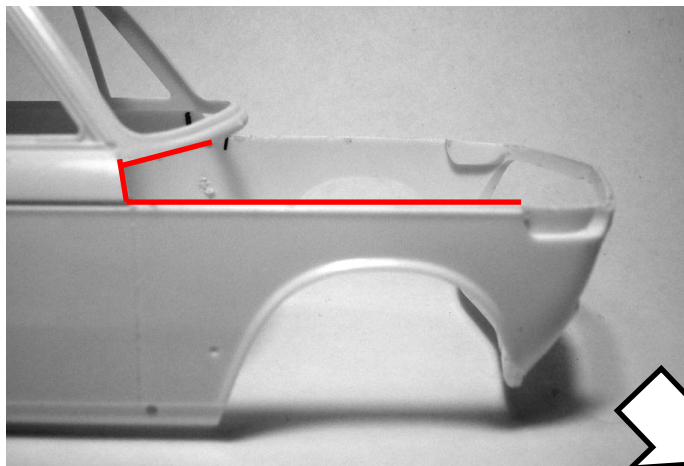


9. Engine instalation

Notice: engine must have little angle

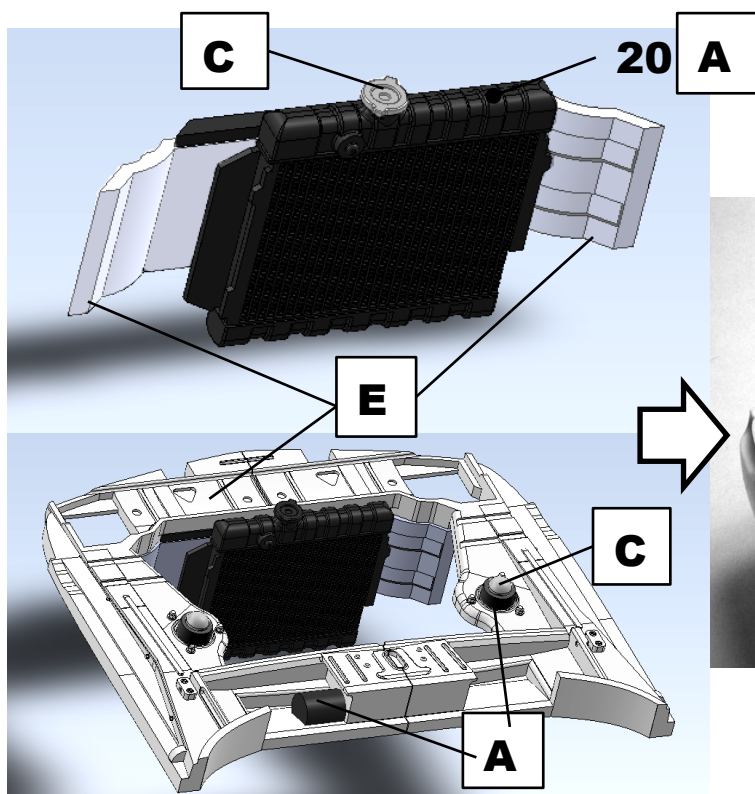


10. Cut hood and glue engine bay part into body before painting



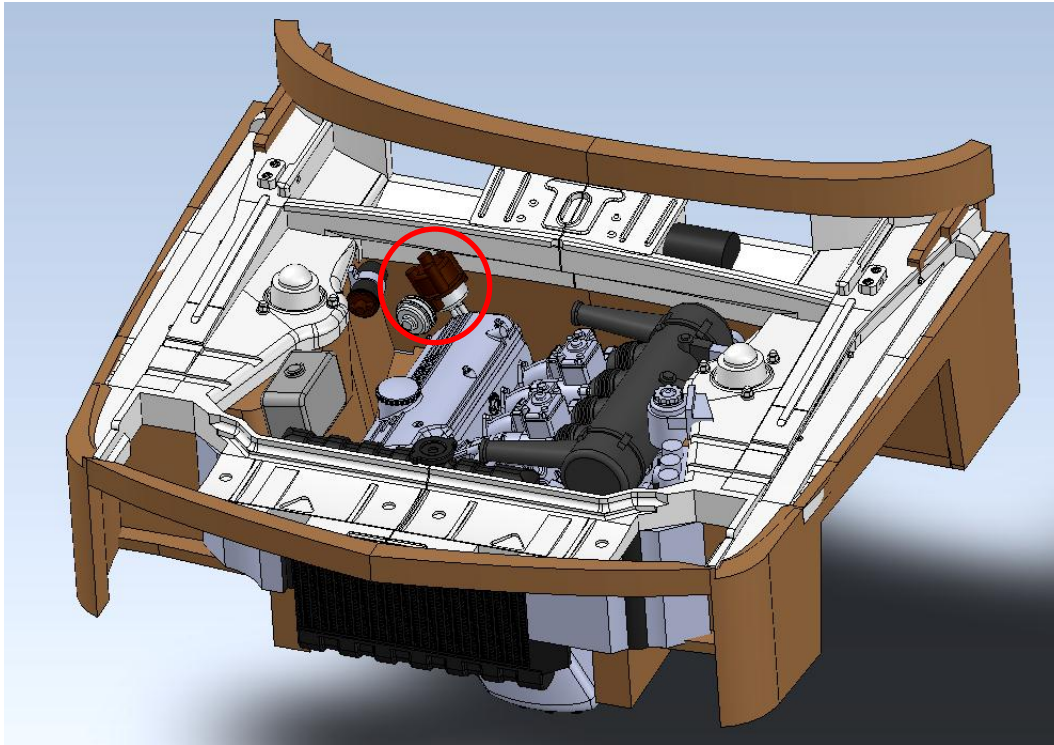
11. Radiator

Install it form inside of body

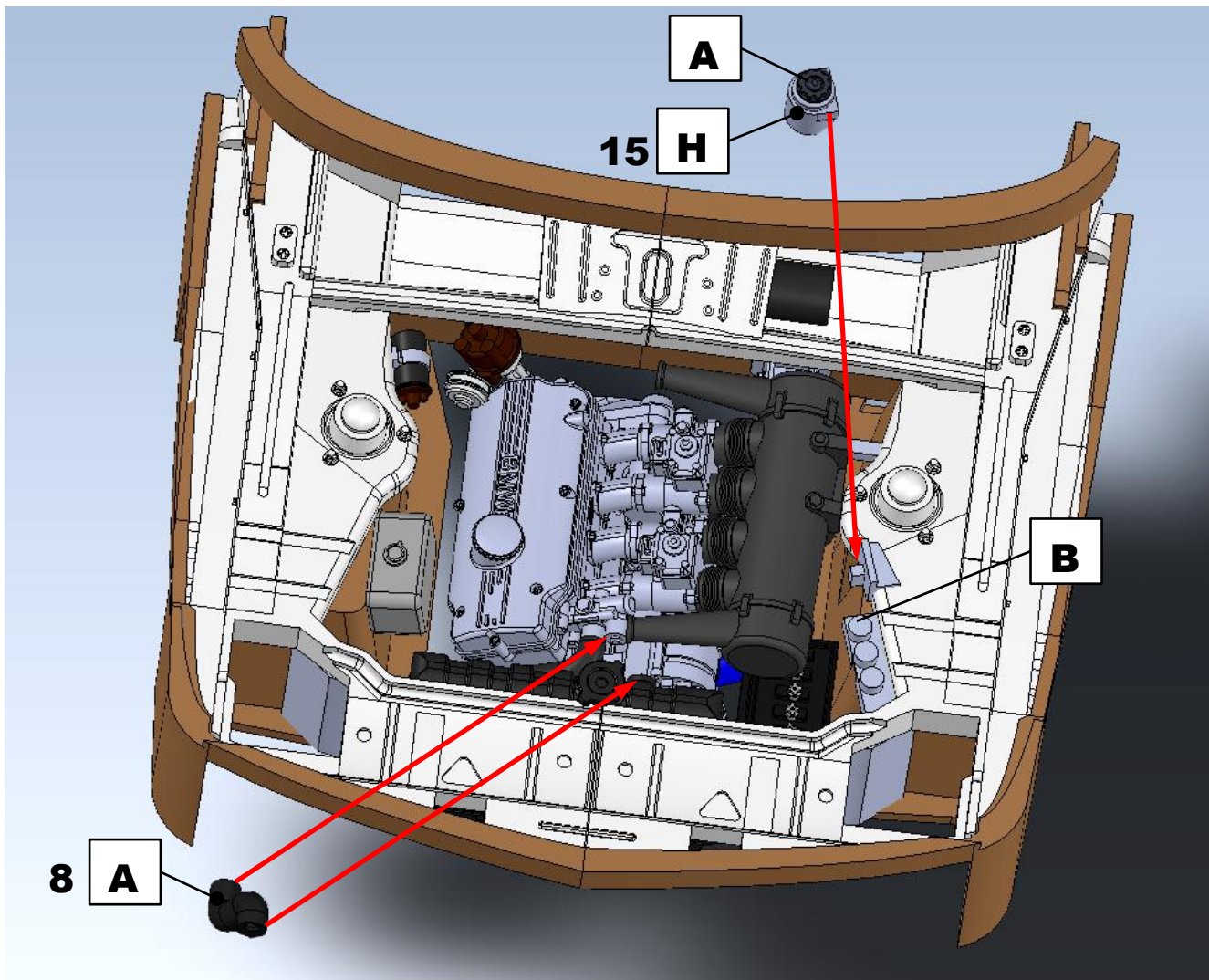


After this step, body and chassis can be assembled together.

!! Be careful with distributor



12. Engine bay components



13. Fuse box (clear part)

Color fuses in different colors from inside.

